

PRIMARY LIGHTING LUMINAIRES

---

**DLS** TMI



Decorative LED downlight luminaire designed for ceiling mounting.

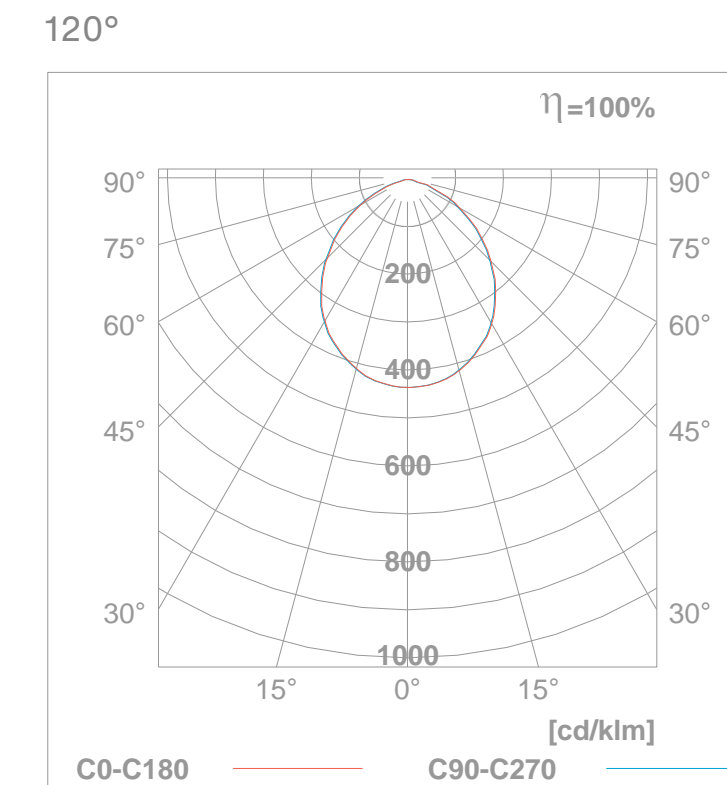
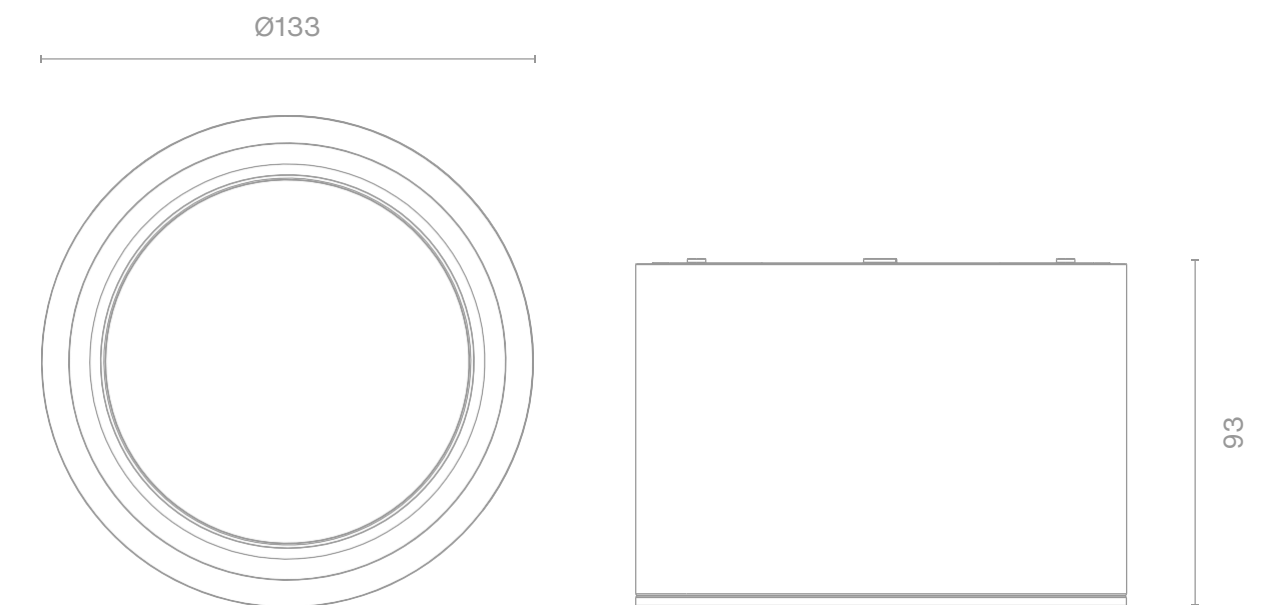
The luminaire is available in a round version with a wide beam.

It is easy to install, and its small dimensions make it perfect for many applications: from office use through conference rooms to bathrooms.

The luminaire can be made with the IP65 protection rating and various diffusers for extreme versatility.



<b>DESIGN</b>	Luminaire body made of pressure die-cast aluminium ▪ mounting base made of impact-resistant polycarbonate, additionally fitted with an IP65 sleeve ▪ depending on the version, the diffusers are made of polycarbonate, PMMA or toughened glass
<b>COLOUR</b>	White ▪ black
<b>MOUNTING</b>	Surface-mount
<b>SUPPLY VOLTAGE</b>	220–240 V AC 50/60 Hz
<b>ELECTRICAL CONNECTION</b>	0.5–2.5 mm <sup>2</sup> quick connector in the body
<b>LIGHT SOURCE</b>	LED ▪ 3000 K / 4000 K ▪ CRI≥80 ▪ SDCM≤3
<b>LED LIFE</b>	100 000 h L80B10 (t <sub>a</sub> = 25°C)
<b>APPLIANCE CLASS</b>	I
<b>INGRESS AND IMPACT PROTECTION RATING</b>	IP44 / IP65 ▪ IK04 / IK08
<b>OPERATING TEMPERATURE</b>	-25°C to +35°C
<b>ACCESSORIES</b>	ED (on / off) ▪ DA (DALI)
<b>APPLICATIONS</b>	Public buildings ▪ stores ▪ offices ▪ circulation routes ▪ hallways ▪ conference rooms ▪ classes ▪ bathrooms
<b>DIFFUSER BEAMS</b>	Wide beam – 120°



	CODE	APPROXIMATE FLUX [lm]	WATTAGE [W]	EFFICACY [lm/W]	CONTROL	LIGHT SOURCE COLOUR TEMPERATURE [K]
DLS – EXAMPLES OF LUMINAIRES	DLS1/M/3000/840/OP/ED/WH/ST/4	3048	25	123	ON/OFF	4000
	DLS1/M/2300/840/OP/ED/WH/ST/4	2420	20	124	ON/OFF	4000
	DLS1/M/1600/840/OP/ED/WH/ST/4	1775	14	131	ON/OFF	4000
	DLS1/M/2500/830/OP/ED/WH/ST/4	2871	25	116	ON/OFF	3000
	DLS1/M/2000/830/OP/ED/WH/ST/4	2280	20	117	ON/OFF	3000
	DLS1/M/1400/830/OP/ED/WH/ST/4	1676	14	124	ON/OFF	3000
	DLS1/M/2600/840/OP/ED/BL/ST/4	2673	25	108	ON/OFF	4000
	DLS1/M/2100/840/OP/ED/BL/ST/4	2120	20	109	ON/OFF	4000
	DLS1/M/1500/840/OP/ED/BL/ST/4	1555	14	115	ON/OFF	4000
	DLS1/M/2300/830/OP/ED/BL/ST/4	2516	25	102	ON/OFF	3000
	DLS1/M/1800/830/OP/ED/BL/ST/4	2000	20	103	ON/OFF	3000
	DLS1/M/1300/830/OP/ED/BL/ST/4	1470	14	109	ON/OFF	3000

NAME	GENERATION	SIZE	FLUX	CRI	COLOUR TEMPERATURE [K]	DIFFUSER TYPE	POWER SUPPLY	COLOUR	DESIGN	PERFORMANCE
DLS	1	M	800 ..... 3000	8	30 40	OP MP	ED DA	WH BL	ST	4

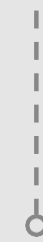
LUMINAIRE  
FAMILY AND  
GENERATION



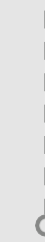
FLUX



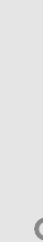
DIFFUSER



COLOUR



PERFORMANCE



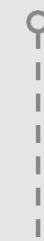
**DLS1 / M / 1300 / 830 / OP / ED / WH / ST / 4**



SIZE



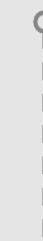
CRI



COLOUR  
TEMPERATURE



POWER  
SUPPLY



DESIGN

## Attributes

- › aluminium housing that can be painted in various colours and improves thermal performance
- › small size
- › two-piece housing for easy mounting
- › high IP65
- › surface-mounted luminaire that can also be suspended on a cable/chain
- › opalescent diffuser in the standard version; microprismatic diffuser available as an option
- › DALI and on/off versions; max. wattage for the DALI version: 20 W
- › own light sources based on LEDs from the best manufacturers (Samsung, CREE, Osram); flexible adaptation to customer expectations – customisable colour temperatures and CRIs

surface mounting

